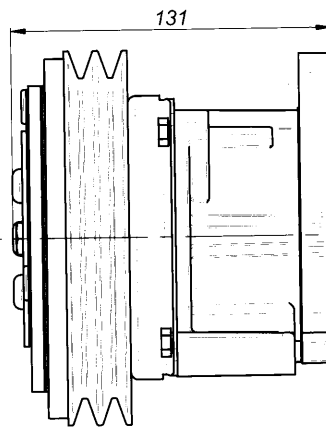
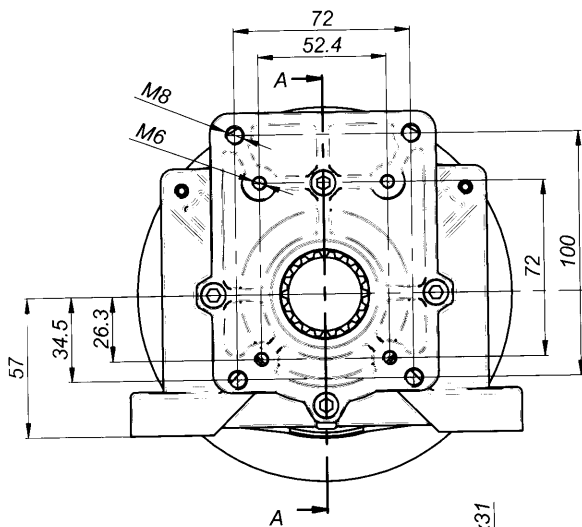
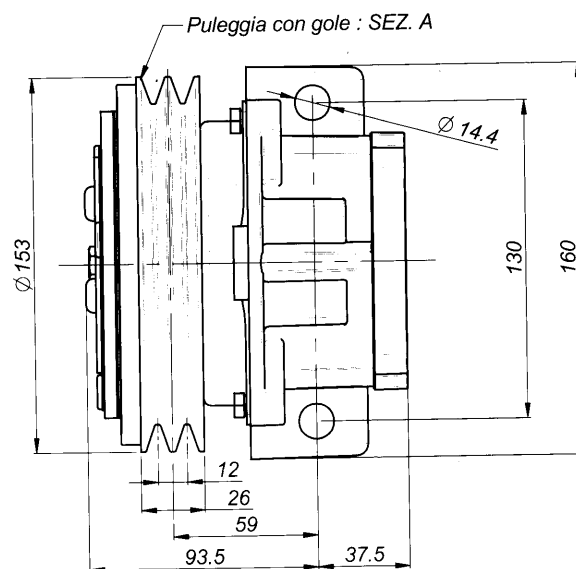
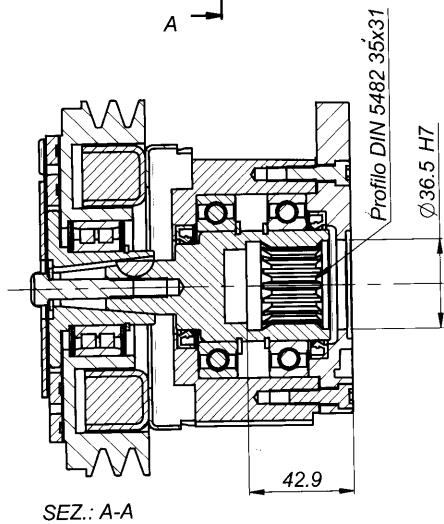
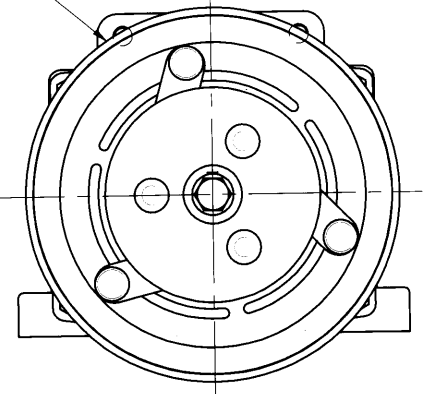


SERIE: 30901 12 Volt
 SERIE: 30903 24 Volt



Cavo elettrico 2x2.5 per alimentazione dell' innesto elettromagnetico.
 Electromagnetic clutch 2x2.5 feeding cable



Nominal torque	7,8 daNm		Connection time	25 m/sec		
Static torque	12,5 daNm		Disconnection time	40 m/sec		
Dynamic torque	8,5 daNm		Minimun time between two connection	20 sec		
	7,0 daNm					
	4,2 daNm					
	3,5 daNm		Max speed	5000 rpm		
	2,7 daNm		Weight	5,5 Kg		
	2,5 daNm					
Electric absorption	Resistance (Ω)		Current (A)		Power (W)	
	20° C	120° C	20° C	120° C	20° C	120° C
12 V DC	4,00	5,60	3,33	2,00	40,00	24,00
24 V DC	20,00	28,00	1,26	0,77	30,30	18,18
All technical data are at 20°C / at 120 °C the performance are less 20% All electromagneteic clutches are reversible.						